



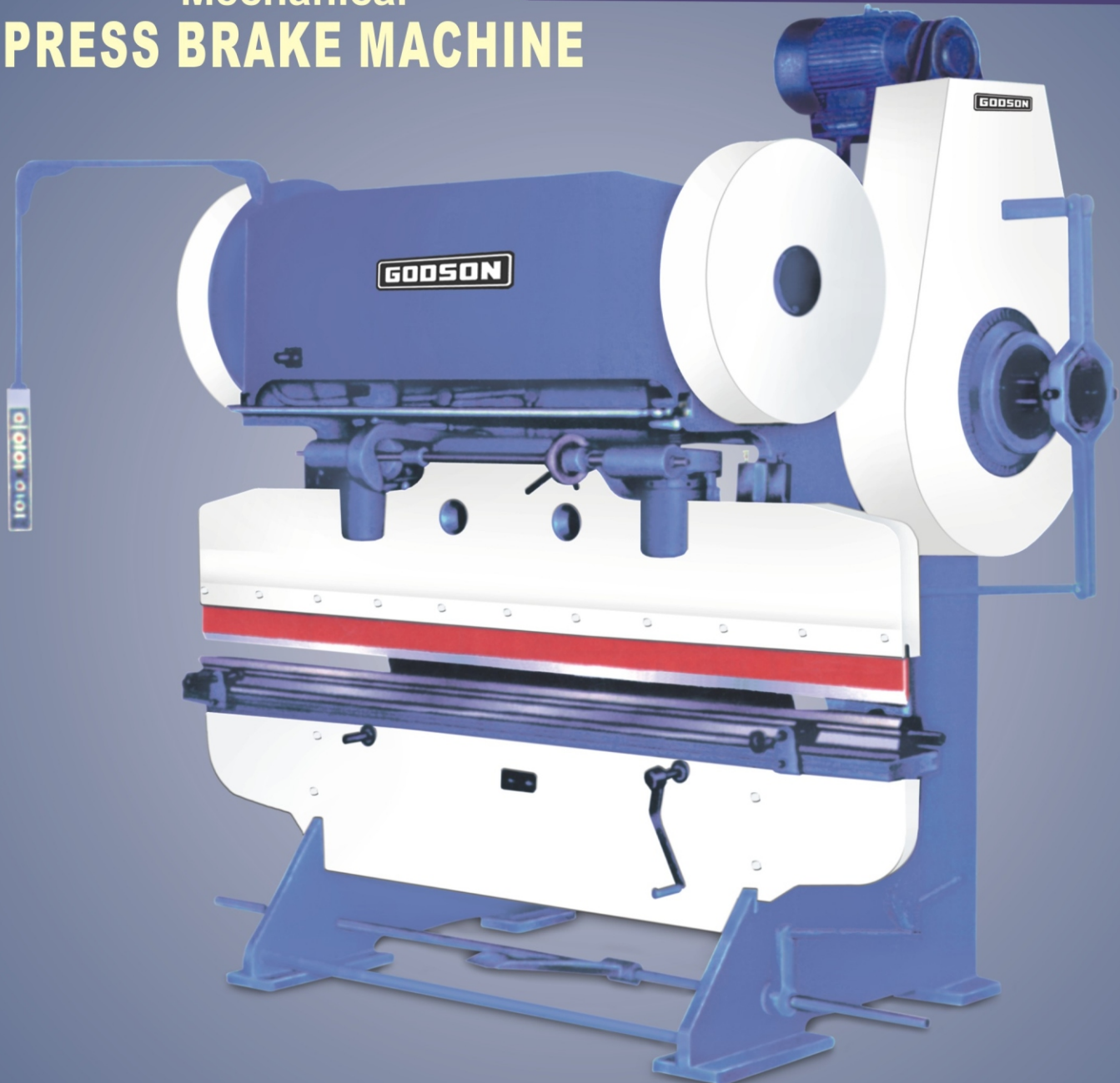
Godson Ultimate Bending Solutions

An ISO 9001 : 2008 Certified Company

®

GODSON

Mechanical
PRESS BRAKE MACHINE



(Also Available with Pneumatic Clutch)



®

GODSON

Godson bending systems pvt. ltd.

ATIKA IND. AREA, MARG NO. 1, DHEBAR ROAD (SOUTH), RAJKOT-360 002 (INDIA)

Ph.: +91 - 281 - 2361467, 2361449, Fax: +91-281-2361873

Website: www.godson-india.com | E-mail: godsonindia@hotmail.com, info@godson-india.com





The latest range of mechanical power press brakes based on years of experience

SALIENT FEATURES

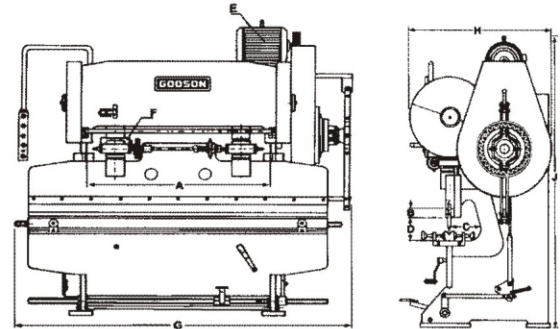
- ◆ All steel body m.s. plates.
- ◆ Crank shafts en-8-9 material.
- ◆ Friction clutch with superior quality plates.
- ◆ Rigid heavy adjustable brakes.
- ◆ Motorised ram adjustment.
- ◆ All gunmetal bushes from 85 : 5 : 5
- ◆ Punch & die block made out of alloy steel.
- ◆ Balance load wheel.
- ◆ Electric panel box with L & T or siemens make components.
- ◆ Hand lubricating systems.

EXTRA ACCESSORIES

OTHER THAN ABOVE ACCESSORIES OR EQUIPMENTS LIKE MAIN ELECTRIC MOTOR, RAM ADJUSTMENT MOTOR, ELECTRIC PANEL BOX, SPECIAL TOOLS, DIE & PUNCHES, AUTO LUBRICATING SYSTEM & MOTORISED BACK GAUGE & PNEUMATIC CLUTCH ARE AT EXTRA COST.

STANDARD ACCESSORIES

- ◆ Standard "V" block & punch.
- ◆ Back gauge.
- ◆ Mounting brackets.
- ◆ Fly wheel & gear guards.
- ◆ Stroke counting meter.
- ◆ Handle for back gauge.
- ◆ Tomy peddle.
- ◆ Foot peddle.



SPECIFICATIONS

MODEL	TONNAGE.	CLEAR DISTANCE BETWEEN HOUSINGS	BENDING CAP. IN MS LENGTH x THICKNESS	MAIN MOTER HP/KW	RAM ADJ. ELE. MOTR HP/KW	STORKE PER MINUTE	STORKE OF RAM M.M.	RAM ADJ. M.M.	SHUT HEIGHT RAM STROKE	DEPTH OF THROAT M.M.	OVERALL DIMENSION IN MM (APP)		
											LENGTH A	BREADTH B	HEIGHT C
GPB-1	20	1000	1525x1.6	3/2.2	MANUAL	30	50	40	200	200	1900	1100	2300
GPB-2	30	1220	2030x2	5/3.7	05/	30	60	40	200	200	2400	1100	2300
GPB-2	30	1700	2540x1.6	5/3.7	1/7.5	30	60	40	200	200	2900	1100	2300
GPB-3	40	1000	1525x3	7.5/5.6	05/	30	60	40	200	200	1900	1200	2300
GPB-3	40	1700	2540x2	7.5/5.6	1/7.5	30	60	40	200	200	2900	1200	2300
GPB-4	60	1220	2030x4	7.5/5.6	1/7.5	30	60	50	225	225	2400	1200	2500
GPB-4	60	1700	2540x3	7.5/5.6	1/7.5	30	60	50	225	225	2900	1200	2500
GPB-5	80	1220	2030x5	10/7.7	1/7.5	25	75	75	250	250	2400	1500	2800
GPB-5	80	1700	2540x4	10/7.7	1/7.5	25	75	75	250	250	2900	1500	2800
GPB-5	80	1900	3125x3	10/7.7	1/7.5	25	75	75	250	250	3500	1500	2800
GPB-6	100	1220	2030x6	12.5/9.7	1.5/1	25	75	75	250	250	2400	1800	3000
GPB-6	100	1700	2540x5	15/11.2	1.5/1	25	75	75	250	250	2900	1800	3000
GPB-7	100	1900	3125x4	15/11.2	1.5/1	25	75	75	250	250	3500	1800	3000
GPB-8	120	1220	2030x8	15/11.2	2/1.5	20	75	75	275	300	2500	1800	3400
GPB-8	120	1700	2540x6	15/11.2	2/1.5	20	75	75	275	300	3000	1800	3400
GPB-9	120	1900	3125x5	15/11.2	2/1.5	20	75	75	275	300	3700	1800	3400
GPB-10	160	1220	2030x10	20/15	2/1.5	20	75	90	300	300	2500	2000	3400
GPB-10	160	1700	2540x8	20/15	2/1.5	20	75	90	300	300	3100	2000	3400
GPB-10	160	1900	3125x6	20/15	2/1.5	20	75	90	300	300	3700	2000	3400
GPB-12	200	1220	2030x12	25/18.7	2/1.5	20	90	90	300	300	2500	2100	3600
GPB-12	200	1700	2540x10	25/18.7	2/1.5	20	90	90	300	300	3100	2100	3600
GPB-12	200	1900	3125x8	25/18.7	2/1.5	20	90	90	300	300	3700	2100	3600

1. FOR BETTER PERFORMANCE OF THE MACHINE, DESIGN AND SPECIFICATIONS ARE SUBJECT TO CHANGE WITHOUT NOTICE.
2. FOR SPECIAL MODELS, SPECIFICATIONS ARE AVAILABLE ON REQUEST.
3. ALL DIMENSIONS ARE IN MM.